

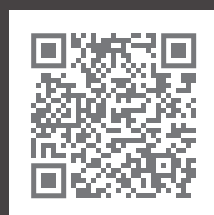
Skylight Measurement Guide

ESPAÑOL



ESCANEE EL CÓDIGO QR
PARA VERLO EN LÍNEA

ENGLISH



SCAN QR CODE
TO VIEW ONLINE

Table of Contents

Replacement

What to Measure for a Replacement Skylight (Deck-Mount)	3
What to Measure for a Replacement Skylight (Curb-Mount)	4
Identifying VELUX Skylights for Replacement	5

Deck-Mount Skylights

Deck-Mount Skylights Quick Reference Guide	6
Deck-Mount Skylights Cross Section and Dimensions	7
ZZZ 213B Trim Kit Measurements	8
VSS Solar Powered “Fresh Air” Skylight VSE Electric Powered “Fresh Air” Skylight VS Manual “Fresh Air” Skylight	9
FS Fixed Skylight	10

Curb-Mount Skylights

Curb-Mount Quick Reference Guide	11
VCS Solar Powered “Fresh Air” Skylight VCE Electric Powered “Fresh Air” Skylight VCM Manual “Fresh Air” Skylight	12
FCM Fixed Skylight	13
New Stocked FCM Custom Sizes	14
GSM SkyMax	15

Self-Flashed Skylights

EVMS Solar “Fresh Air” Skylight EV Manual “Fresh Air” Skylight	16
EF Fixed Skylight	17
QPF Fixed Skylight	18

Roof Windows

GPU Top-Hinged Roof Window	19
----------------------------	----

Flashing

Flashing	20
VELUX EKL EKW Combi-Flashing for Deck-Mount Skylights	21
VELUX ECL Flashing for Curb-Mount Skylights	22

Misc

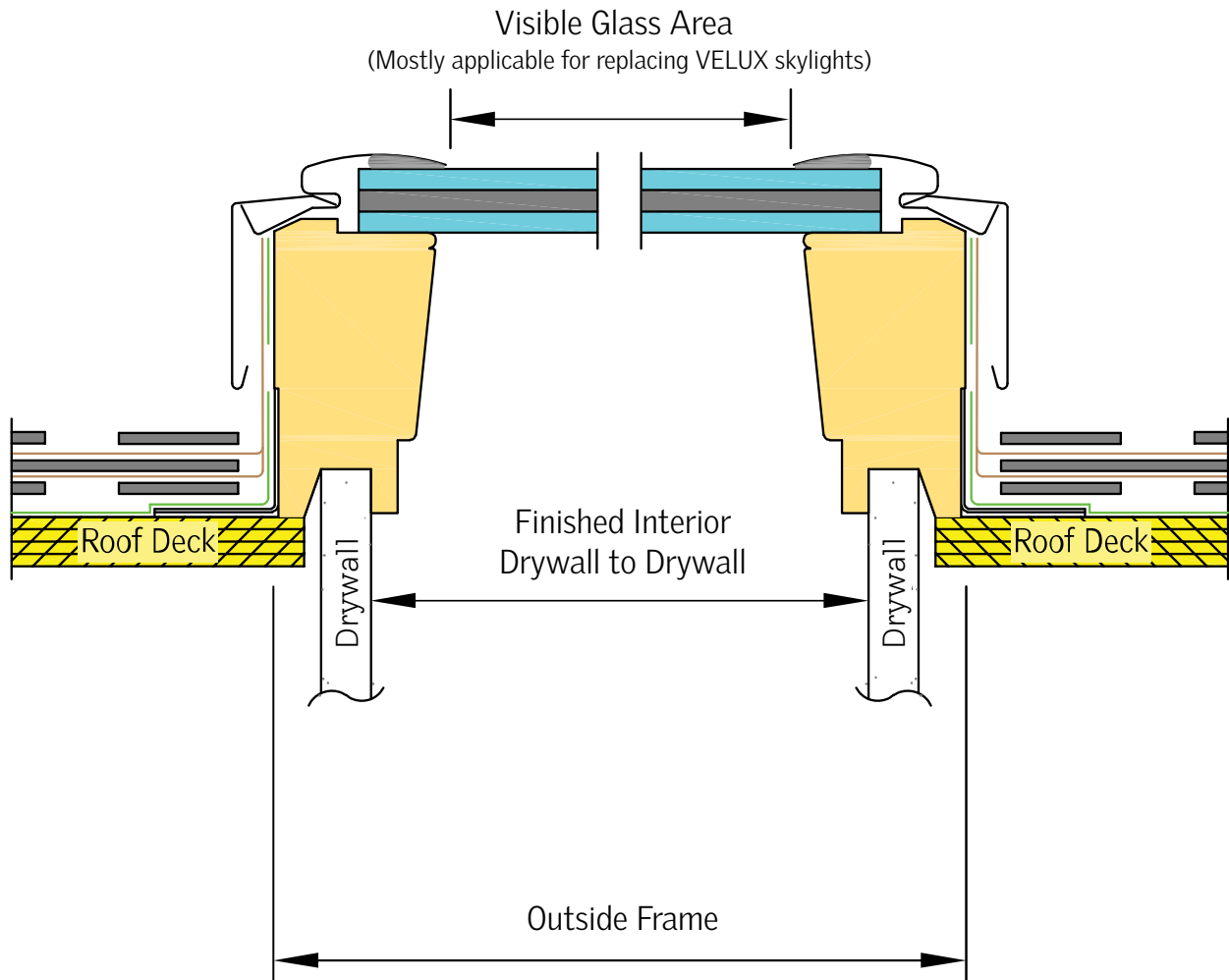
Skylight Replacement Worksheet	23
--------------------------------	----

What to Measure for a Replacement Skylight

Deck-Mount



Below are three preferred measurements to note on existing skylights when preparing to replace with a VELUX Deck-Mount Skylight.



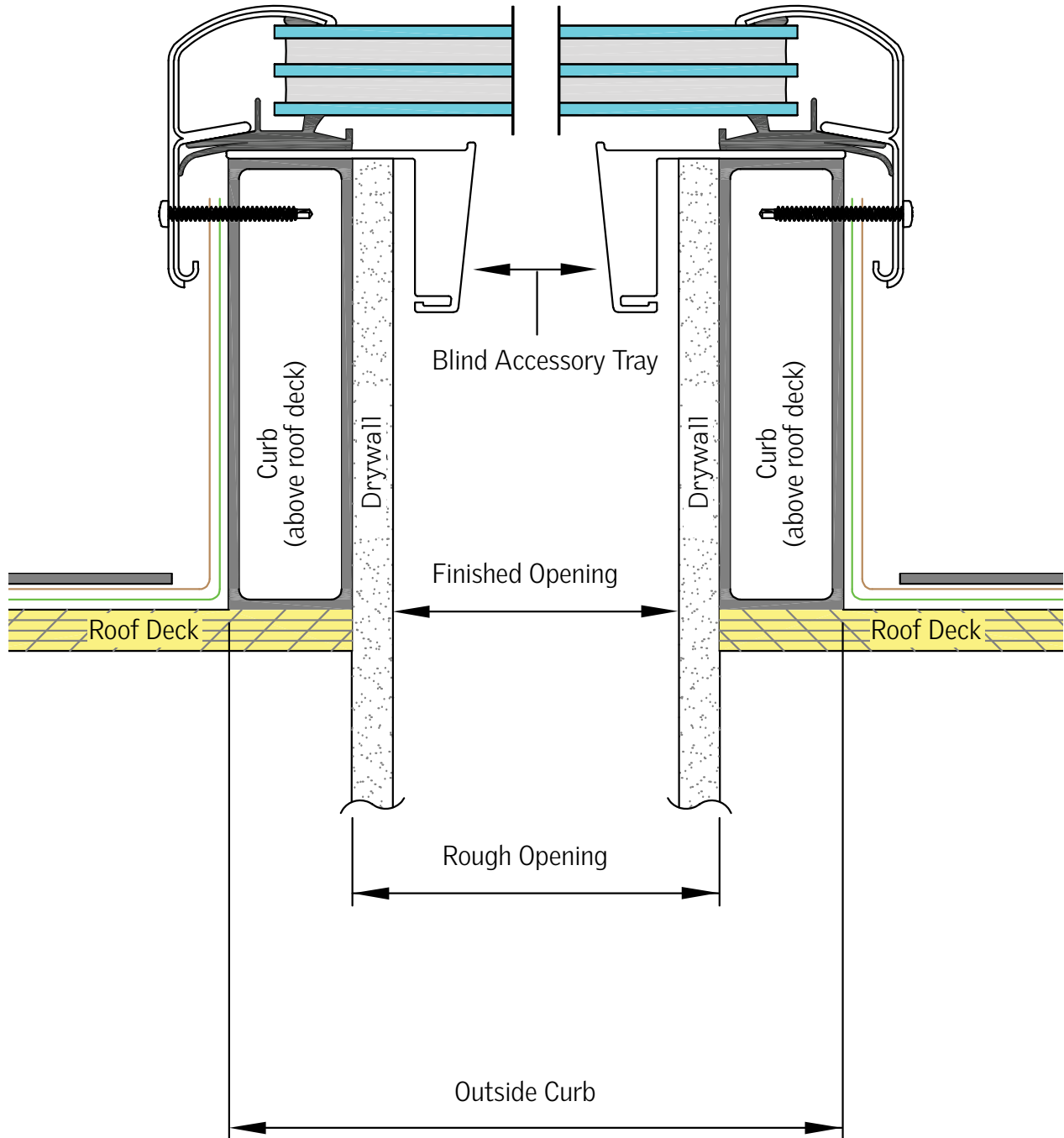
HORIZONTAL CROSS SECTION (DECK-MOUNT)

What to Measure for a Replacement Skylight



Curb-Mount

Below is the preferred measurement to note on existing skylights when preparing to replace with a VELUX Curb-Mount Skylight.



HORIZONTAL CROSS SECTION (CURB-MOUNT)

Identifying VELUX Skylights for Replacement

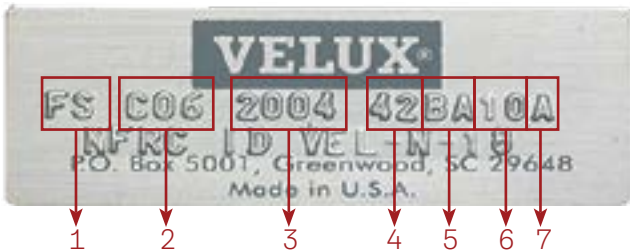


Product Tag and Veltterm Number

To identify the proper replacement size for an older VELUX skylight, use the product tag. If the tag is missing or inaccessible, use the Veltterm number located in the top right corner of the spacer bar.

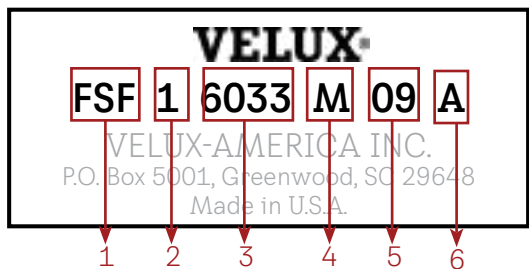
ID Tags

The deck-mount ID tag can be found on the inside of the frame and the curb-mount ID is stamped on the outside of the frame.



New Tag

1. Unit type (FS)
2. Unit size (CO6)
3. Variant code (2004)
4. Block number (42)
5. Manufacturing year (BA) (see year codes at right)
6. Manufacturing month (10)
7. Manufacturing plant (A)



Old Tag

1. Unit type (FSF)
2. Unit size (1)
3. Block number (6033)
4. Manufacturing year (M) (see year codes at right)
5. Manufacturing month (09)
6. Manufacturing plant (A)

VS Production Codes

Model	Start Date	Stop Date
VSC	01 AF 04 A	44 AG 02 A
VS M87, VS M84	5000 E 02 A	19 AE 01 A
VS M96	01 AE 02 A	99 AG 03 A
VS M98	46 AG 04 A	81 AK 03 A
VS M01	82 AK 04 A	Current
VSE	80 AK 02 A	Current

FS Production Codes

Model	Start Date	Stop Date
FS M82*	D 12	F 04 A
FS M85	3001 F 05 A	3036 I 02 A
FS M87	3037 I 03 A	33 AD 03 A
FS M95	34 AD 04 A	Current

* No block codes available for FS M82 units.

Year Codes

B	1980
C	1981
D	1982
E	1983
F	1984
G	1985
H	1986
I	1987
L	1988
M	1989
N	1990
O	1991
AA	1992
AB	1993
AC	1994
AD	1995
AE	1996
AF	1997
AG	1998
AH	1999
AI	2000
AK	2001
AM	2002
AN	2003
AP	2004
AR	2005
AS	2006
AT	2007
AV	2008
AX	2009
AZ	2010
BA	2011
BB	2012
BC	2013
BD	2014
BE	2015
BF	2016
BG	2017
BH	2018
BI	2019
BK	2020
BM	2021
BN	2022
BP	2023
BR	2024
BS	2025

Veltterm Number



Glass Identification

Use the examples below to understand information found on spacer bar between glass panes. Year of manufacture is the most important information to identify.

1969 to 1978 Veltterm 210 60
 Day 001 - 365 _____
 Year = # + 9 (1969) _____

1978 to 1984 Veltterm 38 71
 Week 01 - 52 _____
 Year _____

1984 to 1992 Veltterm G 89 37 92
 Week _____
 Year _____

1992 to Present Veltterm G 48 G 27 31 98 IPF 304
 Glass Code _____
 Year _____
 Pane Type and Size _____

Understanding Glass Codes

Original Code	Current Code	Glass Description
HH	48	Tempered clear over tempered clear. Argon gas filled in 1993.
LH	46	Tempered clear over laminated heat strengthened.
VHH	75	Tempered clear over tempered Low E, Argon gas filled.
HHAB	N/A	Tempered bronze over tempered clear.
VHHAB	77	Tempered bronze over tempered Low E, Argon gas filled.
VLH	74	Tempered Low E over laminated heat strengthened, Argon gas filled.
LHAB	N/A	Tempered bronze over laminated annealed glass.
VLHAB	79	Tempered Low E bronze over laminated heat strengthened.

Note: There may be other glass numbers not listed above. Call customer service for availability.

Deck-Mount Skylights

Quick Reference Guide



Deck-Mounted Skylight Codes

FS C06 2004

Model FS VS VSE VSS	Sizes A06 C01 C04 C06 C08 C12 D26 D06 M02 M04 M06 M08 S01 S06	Interior finish 0 Stain grade wood 2 White 9 Special	Cladding 0 Aluminum 1 Copper 9 Special	Glazings 04 Low E ³ / Lami (74) 05 Low E ³ / Temp (75) 06 Impact 08 White lami 10 Snowload 99 Special
--	--	--	--	--

Deck-mounted skylights:
 FS - Fixed skylight
 VS - Manual venting skylight
 VSE - Electric venting skylight
 VSS - Solar Powered "Fresh Air" Skylight

Deck-Mounted Skylight Size Chart

Rough openings/Outside frame

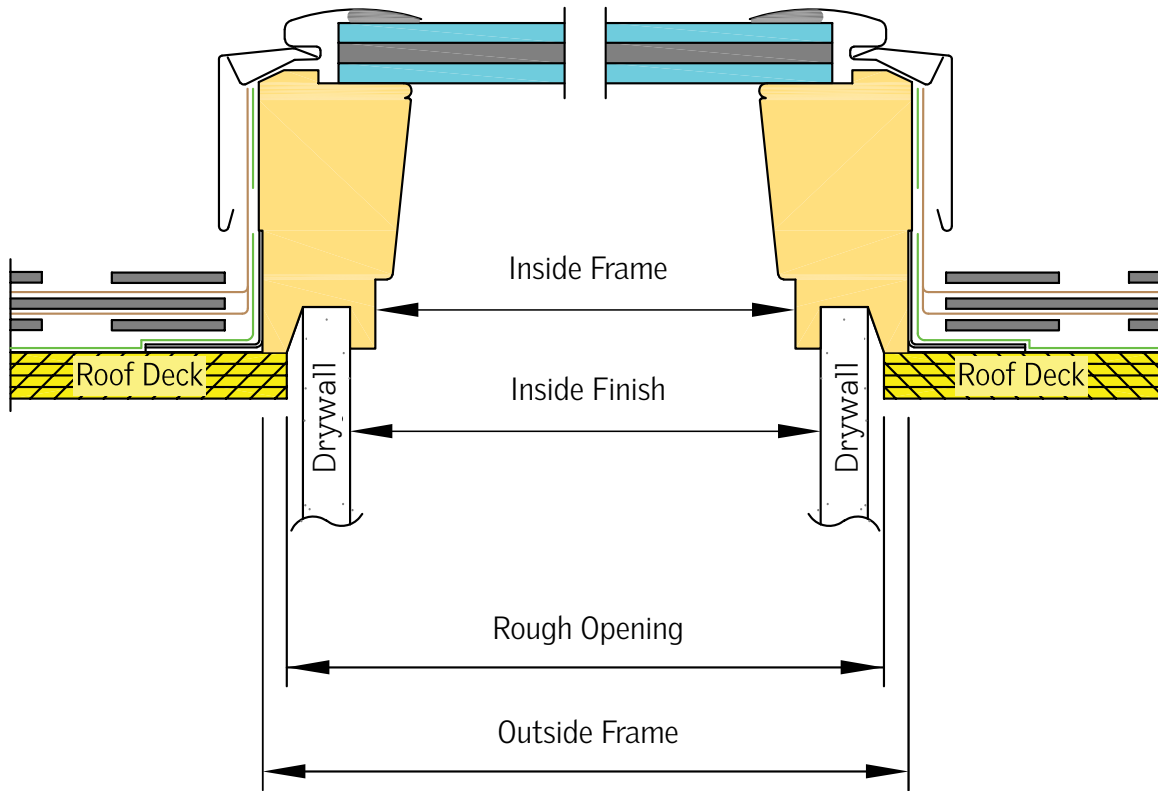


Inches	14 1/2 15 1/4	21 21 1/2	22 1/2 23 1/4	30 1/16 30 7/16	44 1/4 44 3/4
22 15/16 23 7/16			FS; 278 Fixed (150) D26		
26 7/8 27 1/8		FS; VS; VSE; VSS 3.56 Fixed 2.27 Vented (101 or 9) CO1		FS; VS; VSS	FS; VS; VSE; VSS 6.92 Fixed 5.57 Vented (601 or 49) S01
30 30 1/2				FS; VS; VSS 5.15 Fixed 4.11 Vented (302) M02	
37 7/8 38 1/8		FS; VS; VSE; VSS 4.43 Fixed 3.50 Vented (104 or 6) C04		FS; VS; VSS 6.64 Fixed 5.48 Vented (304 or 1) M04	
45 3/4 46 1/4	FS 3.56 Fixed (056) A06	FS; VS; VSE; VSS 4.43 Fixed 3.50 Vented (106 or 64) C06	FS; 5.94 Fixed (156) DO6	FS; VS; VSE; VSS 8.13 Fixed 6.86 Vented (306) MO6	FS; VS; VSE; VSS 12.36 Fixed 10.73 Vented (606 or 4) S06
54 7/16 54 9/16		FS; VS; VSE; VSS 6.52 Fixed 5.34 Vented (108 or 62) C08		FS; VS; VSE 9.77 Fixed 8.36 Vented (308 or 2) MO8	
70 1/4 70 1/2		FS 8.52 Fixed (112) C12			
Fits on center inches	16	24	24	16	16 or 24

Daylight in sq ft
(Previous Models Sizing Numbers)

Deck-Mount Skylights

Cross Section and Dimensions



		A06	C01	C04	C06	C08	C12	D26	D06	M02	M04	M06	M08	S01	S06
Outside Frame	(WxH in.)	15 1/4 x 46 1/4	21 1/2 x 27 5/8	21 1/2 x 38 3/8	21 1/2 x 46 1/4	21 1/2 x 54 15/16	21 1/2 x 70 3/4	23 1/4 x 23 7/16	23 1/4 x 46 1/4	30 9/16 x 30 1/2	30 9/16 x 38 3/8	30 9/16 x 46 1/4	30 9/16 x 54 15/16	44 3/4 x 27 5/8	44 3/4 x 46 1/4
	(WxH in.)	14 1/2 x 45 3/4	21 x 26 7/8	21 x 37 7/8	21 x 45 3/4	21 x 54 7/16	21 x 70 1/4	22 1/2 x 22 15/16	22 1/2 x 45 3/4	30 1/16 x 30	30 1/16 x 37 7/8	30 1/16 x 45 3/4	30 1/16 x 54 7/16	44 1/4 x 26 7/8	44 1/4 x 45 3/4
Inside Finish	(WxH in.)	13 1/4 x 44 1/4	19 1/2 x 25 5/8	19 1/2 x 36 3/8	19 1/2 x 44 1/4	19 1/2 x 52 15/16	19 1/2 x 69 3/4	21 1/4 x 21 7/16	21 1/4 x 44 1/4	28 9/16 x 28 1/2	28 9/16 x 36 3/8	28 9/16 x 44 1/4	28 9/16 x 52 15/16	42 3/4 x 25 5/8	42 3/4 x 44 1/4
	(WxH in.)	12 3/4 x 43 3/4	19 x 24 7/8	19 x 35 7/8	19 x 43 3/4	19 x 52 7/16	19 x 68 1/4	20 3/4 x 20 15/16	20 3/4 x 43 3/4	28 1/16 x 28	28 1/16 x 35 7/8	28 1/16 x 43 3/4	28 1/16 x 52 7/16	42 1/4 x 24 7/8	42 1/4 x 43 3/4

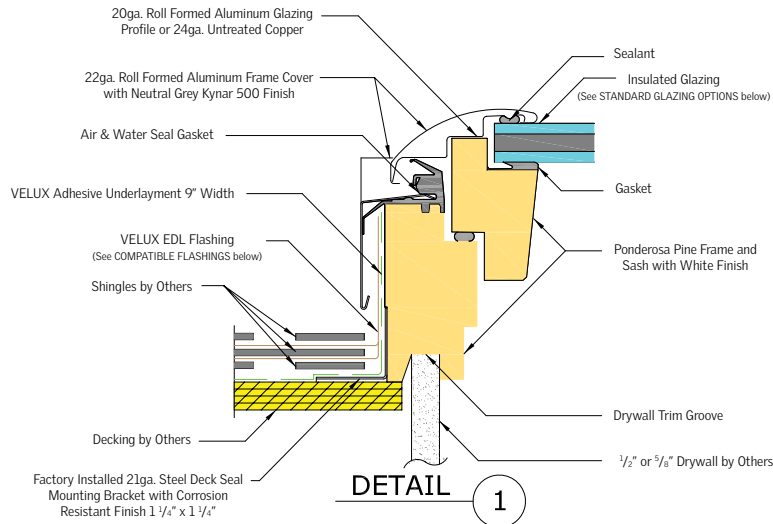
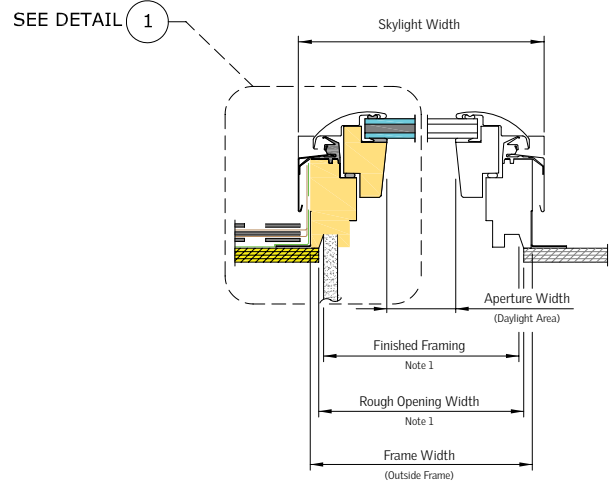
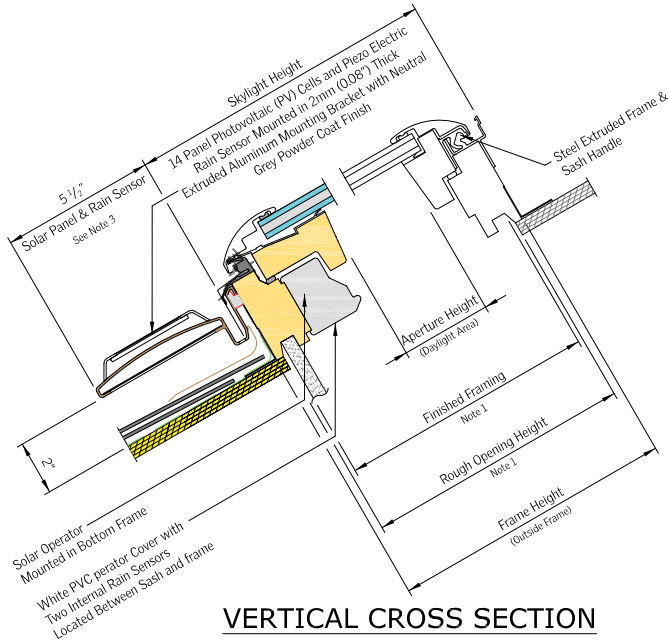
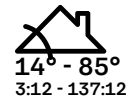
Model FS sizes D26 and D06 fit perfectly between roof trusses.

VSS Solar Powered "Fresh Air" Skylight

VSE Electric "Fresh Air" Skylight

VS Manual "Fresh Air" Skylight

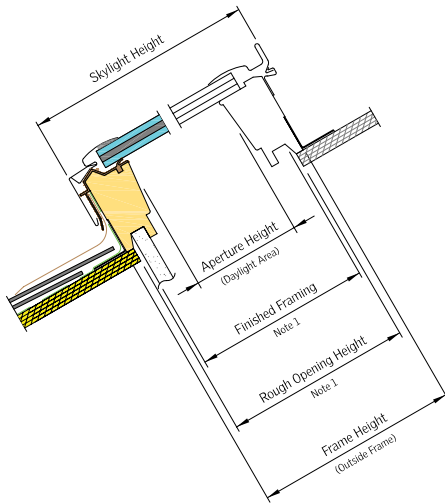
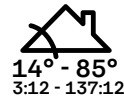
Deck-Mounted



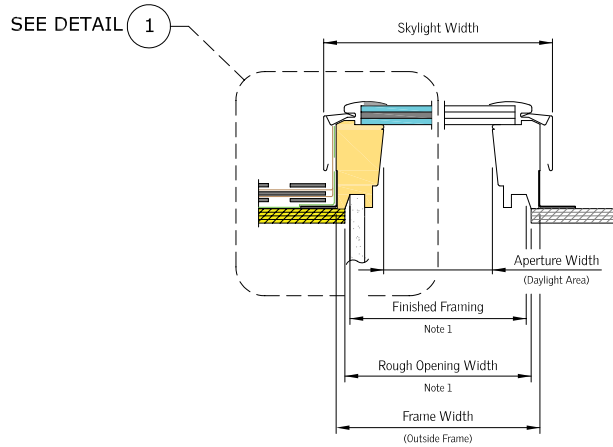
		C01	C04	C06	C08	M02	M04	M06	M08	S01	S06
Rough Opening Width	(W-in.)	21	21	21	21	30 1/16	30 1/16	30 1/16	30 1/16	44 1/4	44 1/4
Frame Width	(W-in.)	21 1/2	21 1/2	21 1/2	21 1/2	30 9/16	30 9/16	30 9/16	30 9/16	44 3/4	44 3/4
Frame Aperture Width	(W-in.)	16	16	16	16	25	25	25	25	39 1/4	39 1/4
Skylight Cladding Width	(W-in.)	22 5/16	22 5/16	22 5/16	22 5/16	31 3/8	31 3/8	31 3/8	31 3/8	45 9/16	45 9/16
Rough Opening Height	(H-in.)	26 7/8	37 7/8	45 3/4	54 7/16	30	37 7/8	45 3/4	54 7/16	26 7/8	45 3/4
Frame Height	(H-in.)	27 3/8	38 3/8	46 1/4	54 15/16	30 1/2	38 3/8	46 1/4	54 15/16	27 3/8	46 1/4
Frame Aperture Height	(H-in.)	20 7/16	31 7/16	39 5/16	48	23 9/16	31 7/16	39 5/16	48	20 7/16	39 5/16
Skylight Cladding Height	(H-in.)	28 3/8	39 3/8	47 1/4	55 15/16	30	39 3/8	47 1/4	55 15/16	28 3/8	47 1/4
Daylight Area	(Sq. Feet)	2.27	3.50	4.38	5.34	4.11	5.48	6.86	8.36	5.57	10.73

FS Fixed Skylight

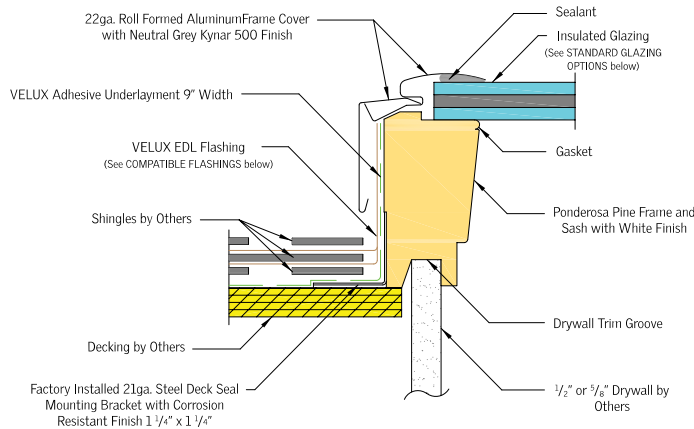
Deck-Mounted



VERTICAL CROSS SECTION



HORIZONTAL CROSS SECTION



DETAIL 1

		A06	C01	C04	C06	C08	C12	D26	D06	M02	M04	M06	M08	S01	S06
Rough Opening Width	(W-in.)	14 ½	21	21	21	21	21	22 ½	22 ½	30 ⅜	30 ⅜	30 ⅜	30 ⅜	44 ¾	44 ¾
Frame Width	(W-in.)	15 ¼	21 ½	21 ½	21 ½	21 ½	21 ½	23 ¼	23 ¼	30 ⅜	30 ⅜	30 ⅜	30 ⅜	44 ¾	44 ¾
Frame Aperture Width	(W-in.)	11 ⅜	18 ⅜	18 ⅜	18 ⅜	18 ⅜	18 ⅜	19 ⅜	19 ⅜	27 ¼	27 ¼	27 ¼	27 ¼	41 ⅞	41 ⅞
Skylight Cladding Width	(W-in.)	16 ⅝	22 ⅝	22 ⅝	22 ⅝	22 ⅝	22 ⅝	24 ⅜	24 ⅜	31 ⅞	31 ⅞	31 ⅞	31 ⅞	45 ⅞	45 ⅞
Rough Opening Height	(H-in.)	45 ¾	26 ⅞	37 ⅞	45 ¾	54 ⅞	70 ¼	22 ⅜	45 ¾	30	37 ⅞	45 ¾	54 ⅞	26 ⅞	45 ¾
Frame Height	(H-in.)	46 ¼	27 ⅞	38 ⅞	46 ¼	54 ⅞	70 ¼	23 ⅞	46 ¼	30 ½	38 ⅞	46 ¼	54 ⅞	27 ⅞	46 ¼
Frame Aperture Height	(H-in.)	42 ⅜	24 ⅜	35 ⅜	42 ⅜	51 ⅞	67 ⅞	20 ⅞	42 ⅜	27 ⅜	35 ⅜	42 ⅜	51 ⅞	24 ⅜	42 ⅜
Skylight Cladding Height	(H-in.)	47 ¼	28 ⅞	39 ⅞	47 ¼	55 ⅞	71 ¾	24 ⅞	47 ¼	31 ½	39 ⅞	47 ¼	55 ⅞	28 ⅞	47 ¼
Daylight Area	(Sq. Feet)	3.56	3.04	4.43	5.43	6.52	8.52	2.78	5.94	5.15	6.64	8.13	9.77	6.92	12.36

Model FS sizes D26 and D06 fit perfectly between roof trusses.

Curb-Mount Skylights

Quick Reference Guide



Curb-Mounted & Self-Flashed Skylight Codes

FCM 1446 2 0 04

Model

Curb-mounted

FCM
VCM
VCE
VCS

Self-flashed

QPF

Sizes

1430*
1446*
2222**
2230**
2234
2246**
2270*
3030**
3046**
3434
4622***
4646**

*FCM only sizes
**QPF and Curb sizes
***VCS only

Interior finish

0 None (FCM)
2 White
9 Special

Cladding

0 Aluminum
9 Special

Glazings

04 Clean, Quiet & Safe glass
05 Low E³/ Temp (75)
06 Impact
08 White lami
99 Special

Curb-mounted skylights:

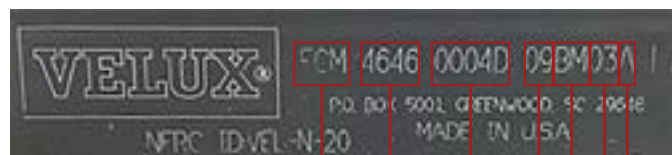
FCM-Fixed skylight
VCM-Manual venting skylight
VCE-Electric venting skylight
VCS-Solar Powered "Fresh Air" Skylight

Self-flashed skylight:

QPF-Fixed skylight

ID Tags

ID tag is stamped on the outside of the skylight frame.



1. Unit type (FCM)
2. Unit size (4646)
3. Variant code (0004D)
4. Manufacturing week (09)
5. Manufacturing year (BM) (see year codes page 5)
6. Manufacturing month (03)
7. Manufacturing plant (A) (VELUX Greenwood)

Curb-Mounted Skylight Size Chart

Outside curb/Max skylight clearance

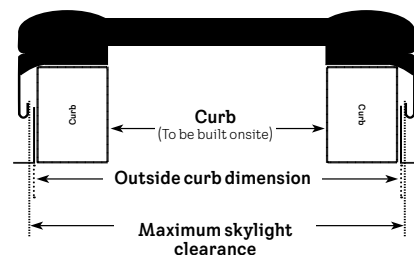


Inches	17 1/2 18 1/4	25 1/2 26 1/4	33 1/2 34 1/4	37 1/2 38 1/4	49 1/2 50 1/4
25 1/2 26 1/4		FCM, VCM, VCE, VCS 3.52 Fixed 2.33 Vented 2222			VCS 5.87 Vented 4622
33 1/2 34 1/4	FCM 3.07 Fixed 1430	FCM 4.77 Fixed 2230	FCM, VCM, VCE, VCS 6.46 Fixed 5.24 Vented 3030		
37 1/2 38 1/4		FCM, VCM, VCE, VCS 5.39 Fixed 4.25 Vented 2234		FCM, VCM, VCE, VCS 5.15 Fixed 4.11 Vented 3434	
49 1/2 50 1/4	FCM 4.68 Fixed 1446	FCM, VCM, VCE, VCS 7.27 Fixed 5.87 Vented 2246	FCM, VCM, VCE, VCS 9.85 Fixed 8.28 Vented 3046		FCM, VCM, VCE, VCS 15.02 Fixed 13.11 Vented 4646
73 1/2 74 1/4		FCM 11.02 Fixed 2270			
	16	24	24	16	16 or 24

Fits on center inches

Daylight in sq ft

Custom FCM sizes available.
Call for more information.



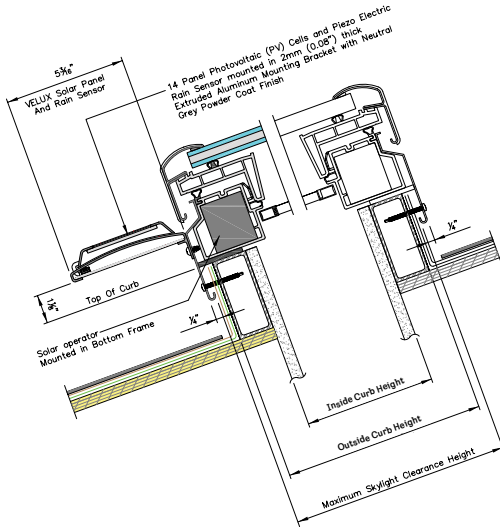
Velterm Number

Refer to page 5 for reference numbers.

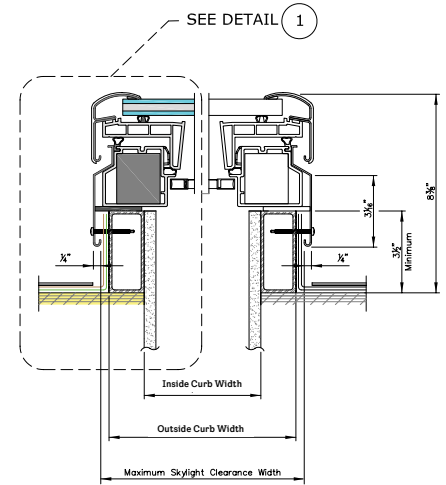


VCS Solar Powered "Fresh Air" Skylight VCE Electric "Fresh Air" Skylight VCM Manual "Fresh Air" Skylight

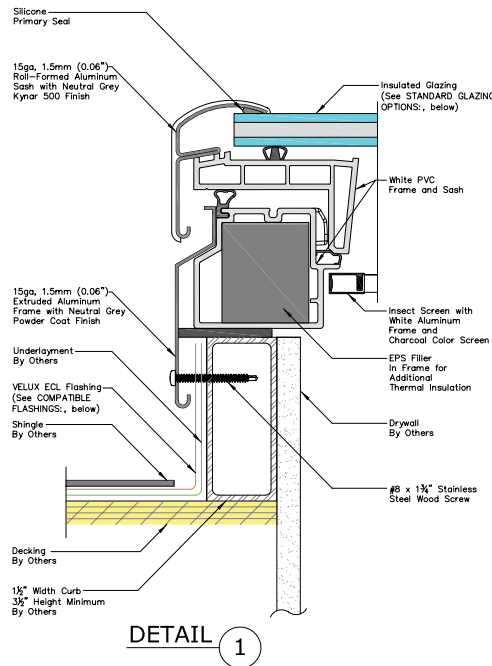
Curb-Mounted



VERTICAL CROSS SECTION



HORIZONTAL CROSS SECTION



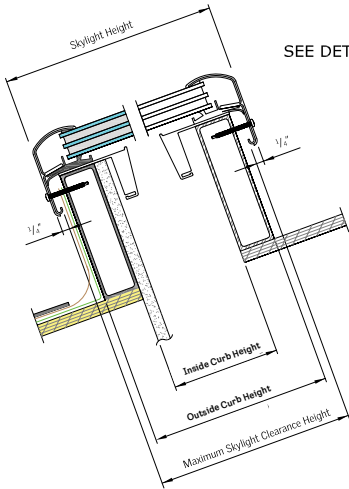
DETAIL 1

		2222	2234	2246	3030	3046	3434	4622*	4646
Outside Curb Width	(W-in.)	25 1/2	25 1/2	25 1/2	33 1/2	33 1/2	37 1/2	49 1/2	49 1/2
Inside Curb Width	(W-in.)	22 1/2	22 1/2	22 1/2	30 1/2	30 1/2	34 1/2	46 1/2	46 1/2
Maximum Skylight Clearance Width	(W-in.)	26 9/16	26 9/16	26 9/16	34 9/16	34 9/16	38 9/16	50 9/16	50 9/16
Outside Curb Height	(H-in.)	25 1/2	37 1/2	49 1/2	33 1/2	49 1/2	37 1/2	25 1/2	49 1/2
Inside Curb Height	(H-in.)	22 1/2	34 1/2	46 1/2	30 1/2	46 1/2	34 1/2	22 1/2	46 1/2
Maximum Skylight Clearance Height	(H-in.)	26 9/16	38 9/16	50 9/16	34 9/16	50 9/16	38 9/16	26 9/16	50 9/16
Daylight Area	(Sq. Feet)	2.58	4.20	5.92	5.27	8.29	6.89	5.92	13.13

* 4622 is only available in VCS

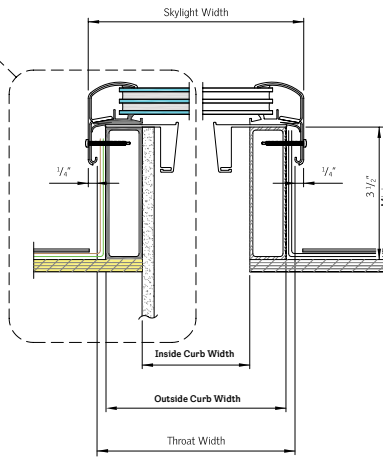
FCM Fixed Skylight

Curb-Mounted

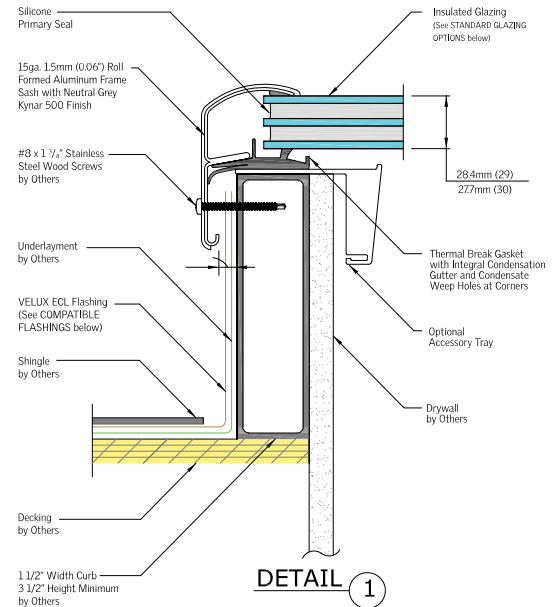


VERTICAL CROSS SECTION

SEE DETAIL 1



HORIZONTAL CROSS SECTION



DETAIL 1

(Curb Supplied by Installer)

FCM custom sizes available

		1430	1446	2222	2230	2234	2246	2270	3030	3046	3055	3434	3446	4622	4646	4672
Outside Curb Width	(W-in.)	17 1/2	17 1/2	25 1/2	25 1/2	25 1/2	25 1/2	25 1/2	33 1/2	33 1/2	33 1/2	37 1/2	37 1/2	49 1/2	49 1/2	49 1/2
Inside Curb Width	(W-in.)	14 1/2	14 1/2	22 1/2	22 1/2	22 1/2	22 1/2	22 1/2	30 1/2	30 1/2	30 1/2	34 1/2	34 1/2	46 1/2	46 1/2	46 1/2
Skylight Width	(W-in.)	19 1/8	19 1/8	27 1/8	27 1/8	27 1/8	27 1/8	27 1/8	35 1/8	35 1/8	35 1/8	39 1/8	39 1/8	51 1/8	51 1/8	51 1/8
Maximum Skylight Clearance Width	(W-in.)	18 5/8	18 5/8	26 5/8	26 5/8	26 5/8	26 5/8	26 5/8	34 5/8	34 5/8	34 5/8	38 5/8	38 5/8	50 5/8	50 5/8	50 5/8
Outside Curb Height	(H-in.)	33 1/2	49 1/2	25 1/2	33 1/2	37 1/2	49 1/2	73 1/2	33 1/2	49 1/2	58 1/2	37 1/2	49 1/2	25 1/2	49 1/2	75 1/2
Inside Curb Height	(H-in.)	30 1/2	46 1/2	22 1/2	30 1/2	34 1/2	46 1/2	70 1/2	30 1/2	46 1/2	55 1/2	34 1/2	46 1/2	22 1/2	46 1/2	72 1/2
Skylight Height	(H-in.)	35 1/8	51 1/8	27 1/8	35 1/8	39 1/8	51 1/8	75 1/8	35 1/8	51 1/8	60 1/8	39 1/8	51 1/8	27 1/8	51 1/8	77 1/8
Maximum Skylight Clearance Height	(H-in.)	34 5/8	50 5/8	26 5/8	34 5/8	38 5/8	50 5/8	74 5/8	34 5/8	50 5/8	59 5/8	38 5/8	50 5/8	26 5/8	50 5/8	76 5/8
Daylight Area	(Sq. Feet)	3.07	4.68	3.52	4.76	5.39	7.27	11.01	6.46	9.85	11.76	8.27	11.14	7.27	15.02	23.47

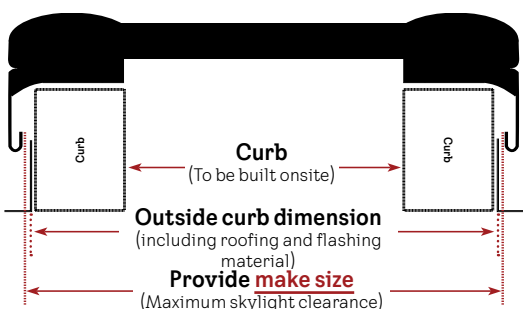
Minimum openings for ZZZ 199 blind accessory tray. These dimensions are from outside screw head to outside screw head.

		2222	2230	2234	2246	2270	3030	3046	3434	3446	4622	4646
(W-in.xH-in.)		21 1/8 x 21 1/8	21 1/8 x 29 1/8	21 1/8 x 33 1/8	21 1/8 x 45 1/8	21 1/8 x 69 1/8	29 1/8 x 29 1/8	29 1/8 x 45 1/8	33 1/8 x 33 1/8	33 1/8 x 45 1/8	45 1/8 x 21 1/8	45 1/8 x 45 1/8

FCM Custom Sized Skylights

Curb-Mounted

For Custom Sized FCM Curb-Mount, VELUX will need your make size.

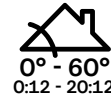


Make Size (W"x L")	Width 18 3/4 to 50 3/4
Height 18 3/4 x 72	Now delivered in 12 days or less
Height 72 3/4 to 76 1/2	Now delivered in 16 days or less

We require maximum skylight clearance dimensions in 1/4" increments (0, 1/4, 1/2, 3/4) for width and height.
Note: Custom size flashing kits and custom sized blinds are not available.
Note: Some specialty glass options require longer lead times.

VELUX Fixed Curb-Mount Skylights

New Stocked Custom Sizes

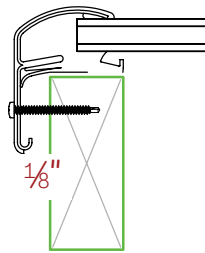


SIZE-W" x H"										
Description	190365	190435	210455	225225	225470	245245	245470	245490	260540	280525
Flashed Outside Curb Width Range	22 - 23 ½	22 - 23 ½	24 - 25 ½	25 ½ - 27	25 ½ - 27	27 ½ - 29	27 ½ - 29	27 ½ - 29	29 - 30 ½	31 - 32 ½
Flashed Outside Curb Height Range	39 ½ - 41	46 ½ - 48	48 ½ - 50	25 ½ - 27	50 - 51 ½	27 ½ - 29	50 - 51 ½	52 - 53 ½	57 - 58 ½	55 ½ - 57
Maximum Skylight Clearance (W" or H")	23 ¾ x 41 ½	23 ¾ x 48 ½	25 ¾ x 50 ¾	27 ¾ x 27 ¾	27 ¾ x 51 ¾	29 ¾ x 29 ¾	29 ¾ x 51 ¾	29 ¾ x 53 ¾	30 ¾ x 58 ¾	32 ¾ x 57 ¾

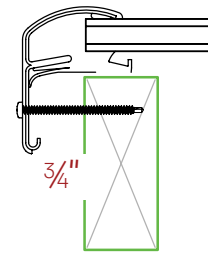
SIZE-W" x H"										
Description	315315	315470	315700	315715	365365	385385	385540	420435	460470	460700
Flashed Outside Curb Width Range	34 ½ - 36	34 ½ - 36	34 ½ - 36	34 ½ - 36	39 ½ - 41	41 ½ - 43	41 ½ - 43	45 - 46 ½	49 - 50 ½	49 - 50 ½
Flashed Outside Curb Height Range	34 ½ - 36	50 - 51 ½	73 - 74 ½	74 ½ - 76	39 ½ - 41	41 ½ - 43	57 - 58 ½	46 ½ - 48	50 - 51 ½	73 - 74 ½
Maximum Skylight Clearance (W" or H")	36 ¾ x 36 ¾	36 ¾ x 51 ¾	36 ¾ x 74 ¾	36 ¾ x 76 ¾	41 ¾ x 41 ¾	43 ¾ x 43 ¾	43 ¾ x 58 ¾	46 ¾ x 48 ¾	50 ¾ x 51 ¾	50 ¾ x 74 ¾

FLASHED OUTSIDE CURB RANGE

Standard clearance between flashed outside curb and counterflashing leg



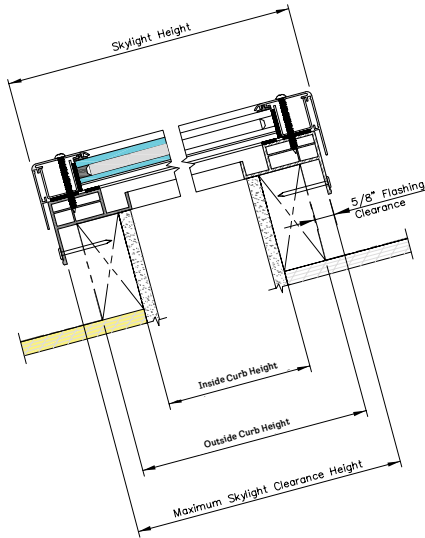
FCM can accommodate a smaller curb (- ¾") and still use the same skylight. Longer screws are provided as distance between the flashed outside curb and counterflashing increases.



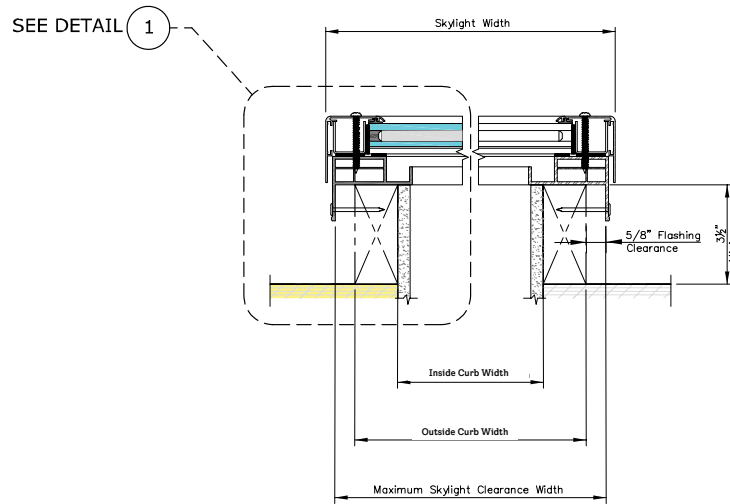
GSM SkyMax

Curb-Mounted

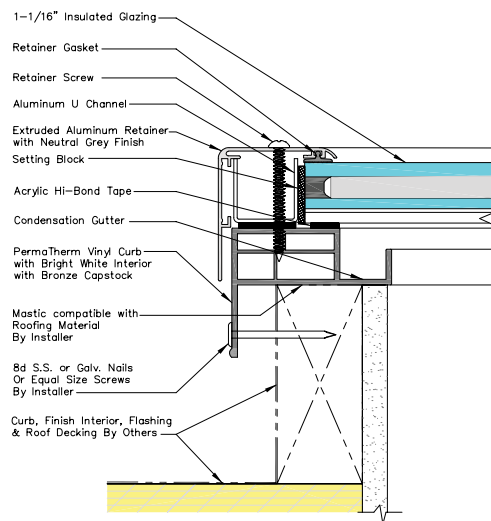
1° - 60°
1/4:12 - 20:12



VERTICAL CROSS SECTION



HORIZONTAL CROSS SECTION



DETAIL 1

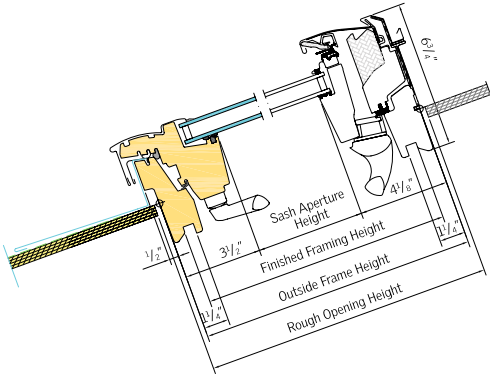
		4896	5199
Outside Curb Width	(W-in.)	48	51
Inside Curb Width	(W-in.)	45	48
Skylight Width	(W-in.)	49 ⁷ / ₈	52 ⁷ / ₈
Maximum Skylight Clearance Width	(W-in.)	49 ¹ / ₄	52 ¹ / ₄
Outside Curb Height	(H-in.)	96	99
Inside Curb Height	(H-in.)	93	96
Skylight Height	(H-in.)	97 ⁷ / ₈	100 ⁷ / ₈
Maximum Skylight Clearance Height	(H-in.)	97 ¹ / ₄	100 ¹ / ₄
Daylight Area	(Sq. Feet)	29.06	32

Available in custom sizes. Covers up to 35 square feet-10 feet at the longest dimension. Minimum 17-1/2" width or height

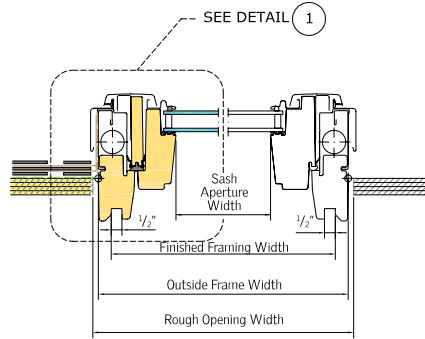
GPU Top-Hinged Roof Window

Cross Section and Dimensions

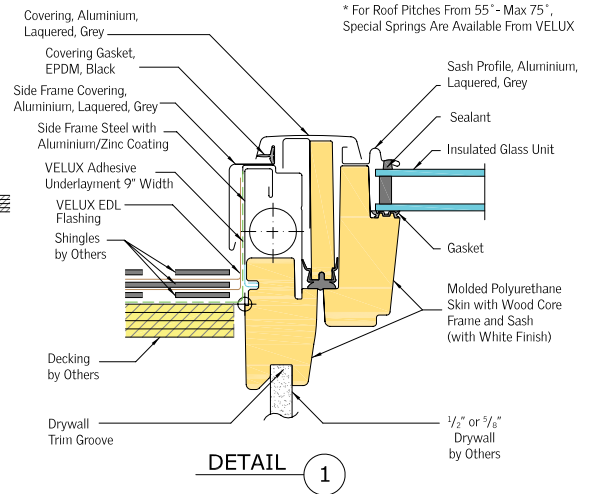
15° - 55°
3:12 - 17:12



VERTICAL CROSS SECTION



HORIZONTAL CROSS SECTION



DETAIL 1

		CK04	CK06	MK04	MK06	MK08	PK10	SK06	UK08
Rough Opening Width	(W-in.)	22 3/8	22 1/8	31 1/4	31 1/4	31 1/4	37 5/8	45 3/8	53 1/4
Outside Frame Width	(W-in.)	21 5/8	21 5/8	30 3/4	30 3/4	30 3/4	37 1/8	44 7/8	52 3/4
Finished Framing Width	(W-in.)	20 1/2	20 1/2	29 1/2	29 1/2	29 1/2	35 7/8	43 3/4	51 5/8
Sash Aperture Width	(W-in.)	14 5/8	14 5/8	23 5/8	23 5/8	23 5/8	30	37 7/8	45 5/8
Rough Opening Height	(H-in.)	39	46 7/8	39	46 7/8	55 1/2	63 1/2	46 7/8	55 1/2
Outside Frame Height	(H-in.)	38 1/2	46 3/8	38 1/2	46 3/8	55	63	46 3/8	55
Finished Framing Height	(H-in.)	37 1/8	45	37 1/8	45	53 3/4	62	45	53 3/4
Sash Aperture Height	(H-in.)	30 3/4	38 3/4	30 3/4	38 3/4	47 3/8	55 5/8	38 3/4	47 3/8
Daylight Area	(Sq. Feet)	3.12	3.98	5.06	6.35	7.75	11.52	10.23	15.07

Roof Window Information

Emergency Escape and Rescue Openings

Product Information					Dimensional Requirements Met?
VELUX Product	Outside Frame Dimensions (WxH)	Rescue Opening Dimensions		Net Clear Opening	
		W	H		
GPL/GPU MK06	30 3/4 x 46 1/2	27 3/8	30 3/8	5.78 ft ²	Yes
GPL/GPU MK08	30 3/4 x 55 1/8	27 3/8	36 3/8	6.92 ft ²	Yes
GPL/GPU PK10	37 x 63	33 3/4	41 7/8	9.83 ft ²	Yes
GPL/GPU SK06	44 7/8 x 46 1/2	41 5/8	30 3/8	8.76 ft ²	Yes
GPL/GPU UK08	52 3/4 x 55 1/8	49 1/2	36 3/8	12.49 ft ²	Yes
GXU FK06	26 x 46 3/8	22 1/8	42 1/2	6.23 ft ²	Yes
US Model Code Requirements		20"	24"	5.7 ft ²	

NOTE: Code Also Requires 44" Maximum - Finished Sill Height from Finished Floor

Flashing

Quick Reference Guide



Skylight Flashing Guide (A21) Combi Information

Deck-mounted skylights only, excluding A06, D26 & D06

Deck-mounted skylights - single unit

	Shingle Slate Shake	Tile Slate Shake	Metal Low slope
FS VS VSE VSS		EDL 14°-85°	EDW 14°-85°
		EDM 14°-85°	ECB 0°-12°

* ZZZ 200 (extra step flashing pieces) maybe needed with roof materials with exposure greater than 5".

Curb-mounted skylights - single unit

	Shingle Slate Shake	Tile Slate Shake
FCM VCM VCE VCS		ECL 10°-60°
		ECW 14°-60°

Self-flashed skylights - single unit

	Shingle
QPF QFT QVT EF EV EVMS	
	Self-flashed

Deck-mounted skylights - combi unit

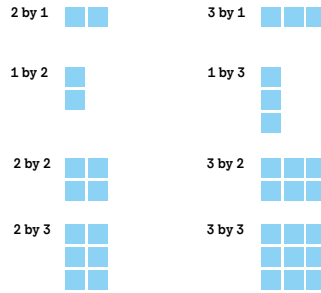
	Shingle Slate Shake	Tile Slate Shake
FS VS VSE VSS**		EKL 14°-85°
		EKW*** 14°-85°

* ZZZ 200 (extra step flashing pieces) maybe needed with roof materials with exposure greater than 5".

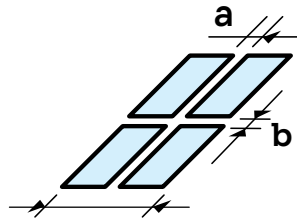
** VSS solar panel relocation may be required based on the Combi flashing configuration.

*** EKW has side x side and 4" gutter configuration only.

Combi installations

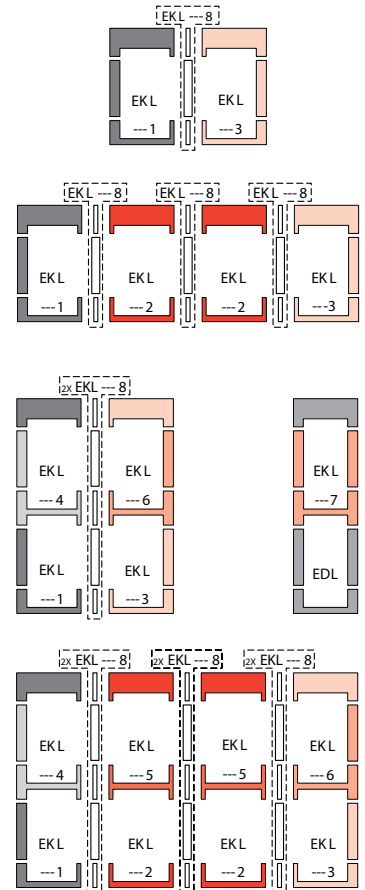


a = Frame distance, vertical gutter
b = Frame distance, horizontal gutter



a = minimum 2 1/2" to maximum of 12" in 1/2" increments only
b = 4 1/4" only

EKL combi flashing elements

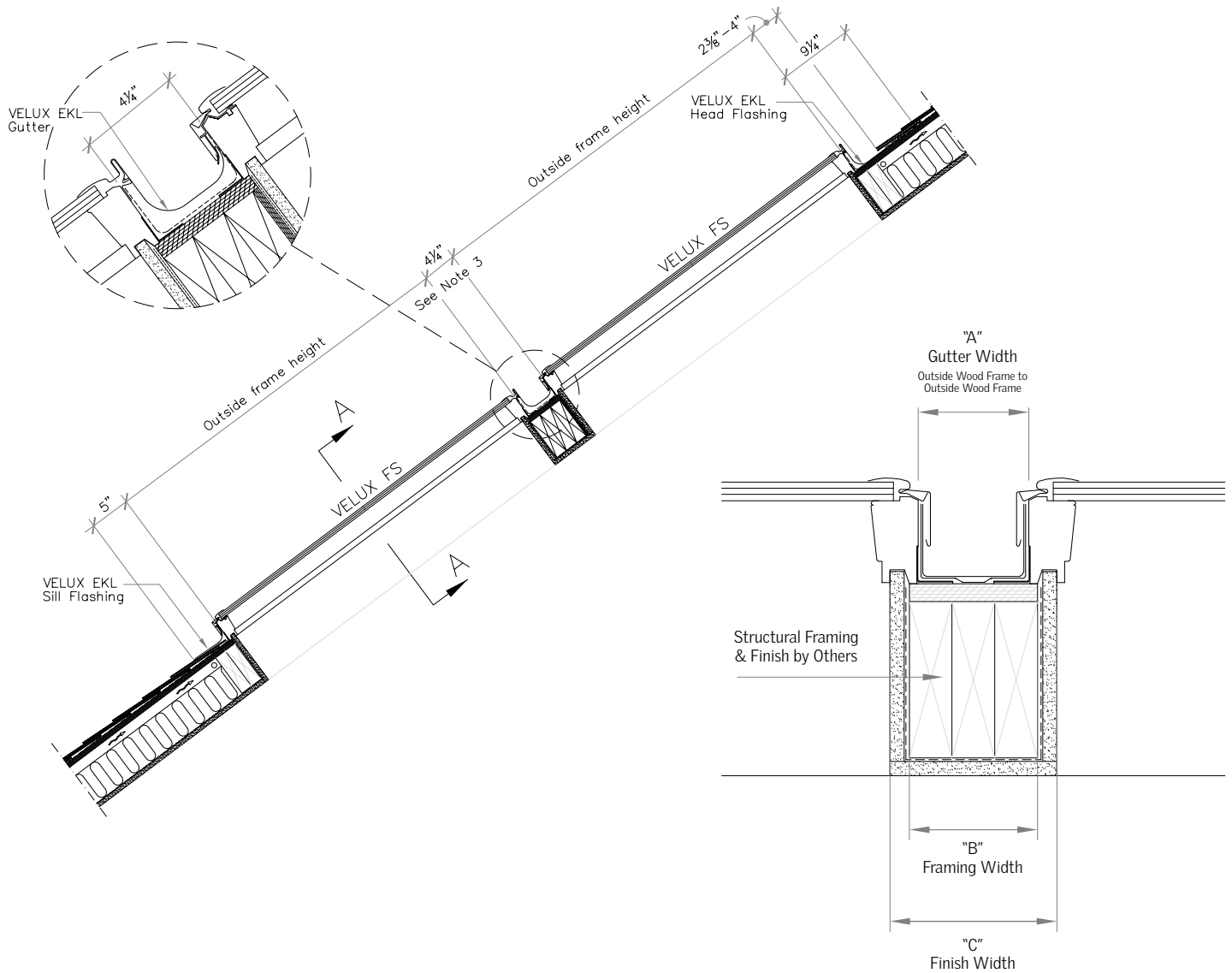


Flashing Notes:

- A21 flashings EDW, EDM, EKL, EKW and ECB are not available in copper.
- A21 EDW flashing is not available in A06. Use D06 size flashing for D26 size skylight and use C12 size flashing for C08 size skylight.
- EKW only offered with 4" vertical gutter "a" for side-by-side combi application. Some on-sight height modifications required for EKW when not using sizes C06, C12, M08 and S06.
- A21 EDM flashings sizes can be used with VELUX V22 roof window sizes. Must order ZWC kit with coverings and screws.
- A21 EKL flashing sizes can be used with VELUX V22 roof windows. Vist veluxusa.com for additional guidance.
- EKL components 6002 and 6005 do not have step flashing included.

VELUX EKL/EKW Combi-Flashing for Deck-Mount Skylights

Cross Section and Dimensions



"A" Gutter Width	(W in.)	2 1/2	3	3 1/2	4	4 1/2	5	5 1/2	6	6 1/2	7	7 1/2	8	8 1/2	9	9 1/2	10	10 1/2	11	11 1/2	12
"B" Framing Width	(W in.)	3	3 1/2	4	4 1/2	5	5 1/2	6	6 1/2	7	7 1/2	8	8 1/2	9	9 1/2	10	10 1/2	11	11 1/2	12	12 1/2
"C" Finish Width	(W in.)	4	4 1/2	5	5 1/2	6	6 1/2	7	7 1/2	8	8 1/2	9	9 1/2	10	10 1/2	11	11 1/2	12	12 1/2	13	13 1/2

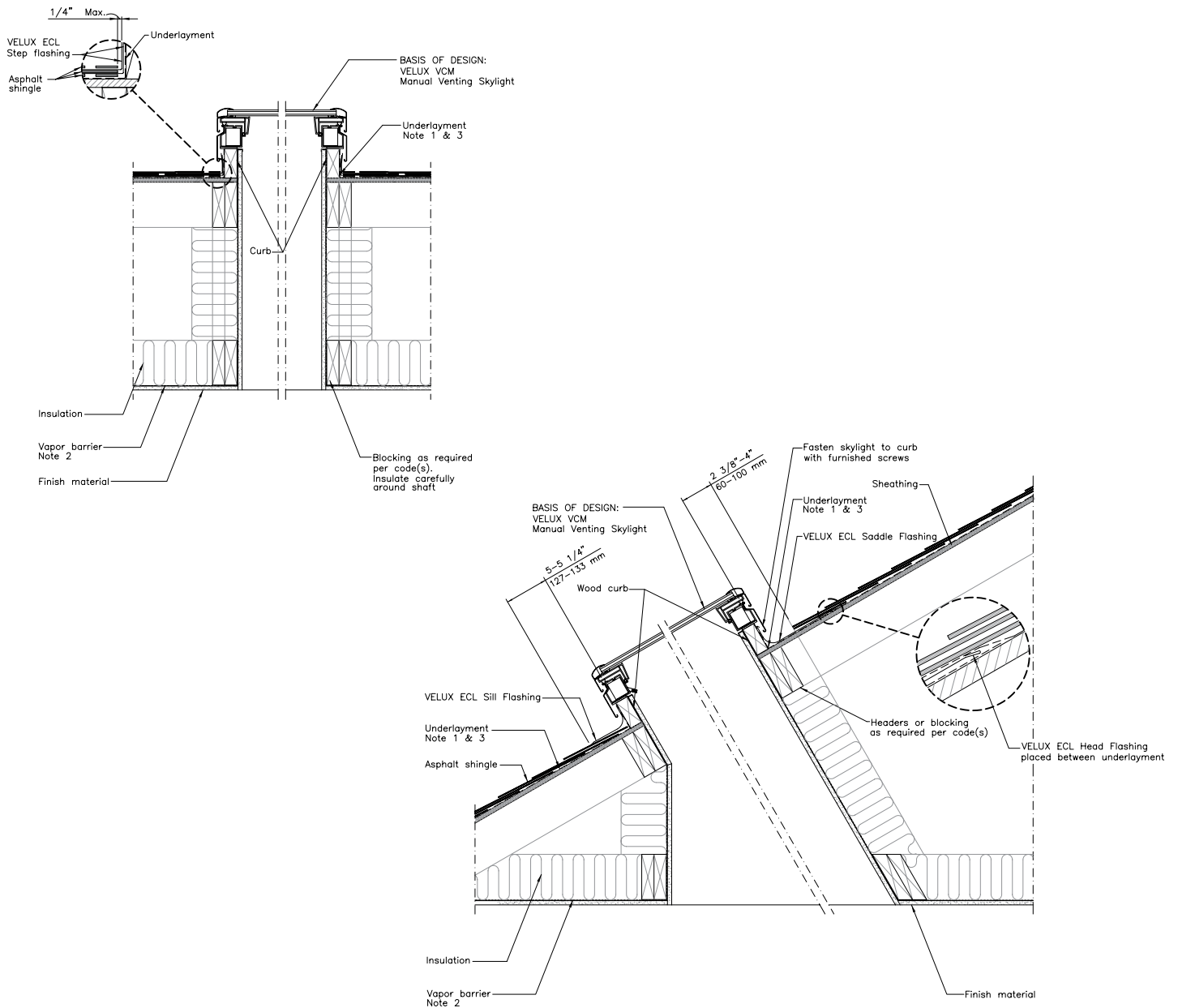
Notes:

- Vertical gutter widths for EKL/EKW come in 20 standard sizes, 2 1/2" to 12" in 1/2" increments.
- If using EKL/EKW in a "over/under" skylight application, then the horizontal gutter is one size only: 4". The skylights need to be placed 4 1/4" apart from each other (outside wood frame to outside wood frame). See diagram.
- Head flashing piece is 9 1/4" in depth
- Sill flashing piece is 5" in depth

VELUX ECL Flashing for Curb-Mount Skylights



Cross Section and Dimensions



Sill Flashing	Extends 5 inches from curb
Step Flashing	5"X5"X 9 1/4" – Extends 5" from curb
Head Flashing	Extends 9" from curb
ECL 1446	Fits curb width ranging from 17 1/4" to 17 3/4"
ECL 2246 & 2270	Fits curb width ranging from 25 1/4" to 25 3/4"
ECL 3046	Fits curb width ranging from 33 1/4" to 33 3/4"
ECL 3434	Fits curb width ranging from 37 1/4" to 37 3/4"
ECL 4646	Fits curb width ranging from 49 1/4" to 49 3/4"

VELUX Deck-Mount and Curb-Mount Skylights



Skylight Replacement Worksheet

[DOWNLOAD THIS WORKSHEET](#)

Skylight information:

Measure: **1** Height of skylight/curb: _____

2 Width of skylight/curb: _____

3 Length of skylight/curb: _____

Type of skylight: Deck mounted Curb mounted

Location of screws: Side of skylight Top of skylight

Roof pitch: _____

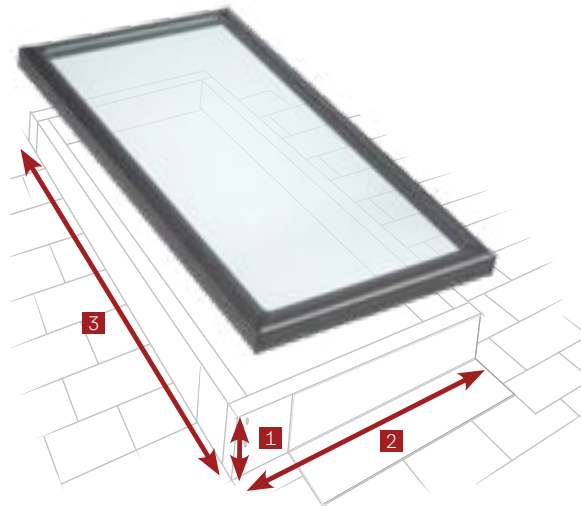
Skylight type: Flat glass Acrylic bubble

Color of glass/acrylic: White Bronze Clear

Roof type: Shingle Metal Shake

Skylight brand (if known): _____

Attach pictures of existing skylight



Measure interior drywall width and length around skylight opening:

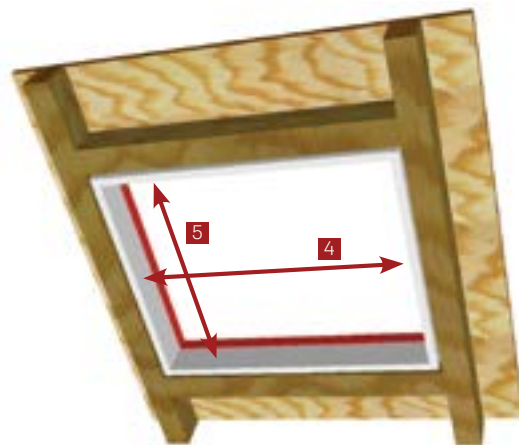
4 Width: _____

5 Length: _____

Interior frame: Stained wood White painted

Skylight: Fixed Venting Solar

Are shades needed: Solar shade



VELUX America LLC
450 Old Brickyard Road
PO Box 5001
Greenwood, SC 29648-5001
Tel 1-800-888-3589
veluxusa.com
whyskylights.com

VELUX®

V4864-0724 · ©2022 VELUX Group
VELUX®, VELUX logo are registered trademarks. All rights reserved.